

Date Purchased _____ Machine Serial No. _____

Size of Spreader _____ Options _____

The key number system in this parts book is arranged as follows:

- ⊙ - Key numbers with two circles denotes main assemblies.
- - Key numbers with one circle are individual parts

Please order parts by number



ELITE TRUCKMOUNT TANK

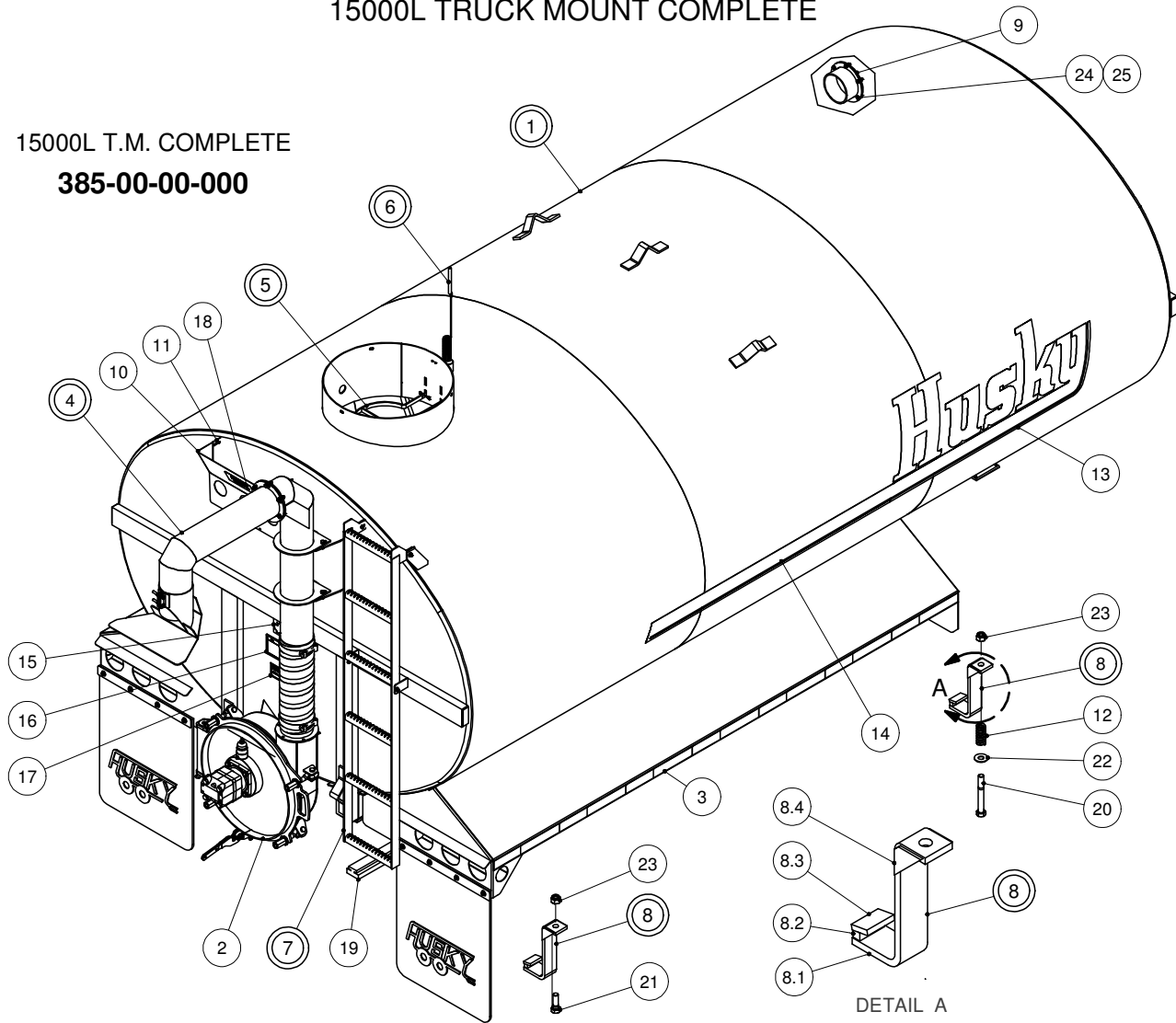
15000L TRUCKMOUNT TANK – 385-00-00-000

OPERATING INSTRUCTIONS:

1. Do not operate machine until you fully understand the safe operating practices.
2. Make sure all moving parts are shielded to prevent coming in contact with clothing.
3. Wash tank after each use. This will increase the life of the tank by many years.
4. After spreading in freezing conditions, make sure impeller housing is fully drained.
5. Much of the fertilizer value of manure is lost when exposed to air. Getting the manure covered quickly is a very important part of spreading manure.
6. **EXTREME DANGER** – Never enter a dirty manure spreader or storage tank – one breath of hydrogen sulphide gas is enough to kill. Have a ladder in your pit, so that if by accident you should fall in, you can get out.

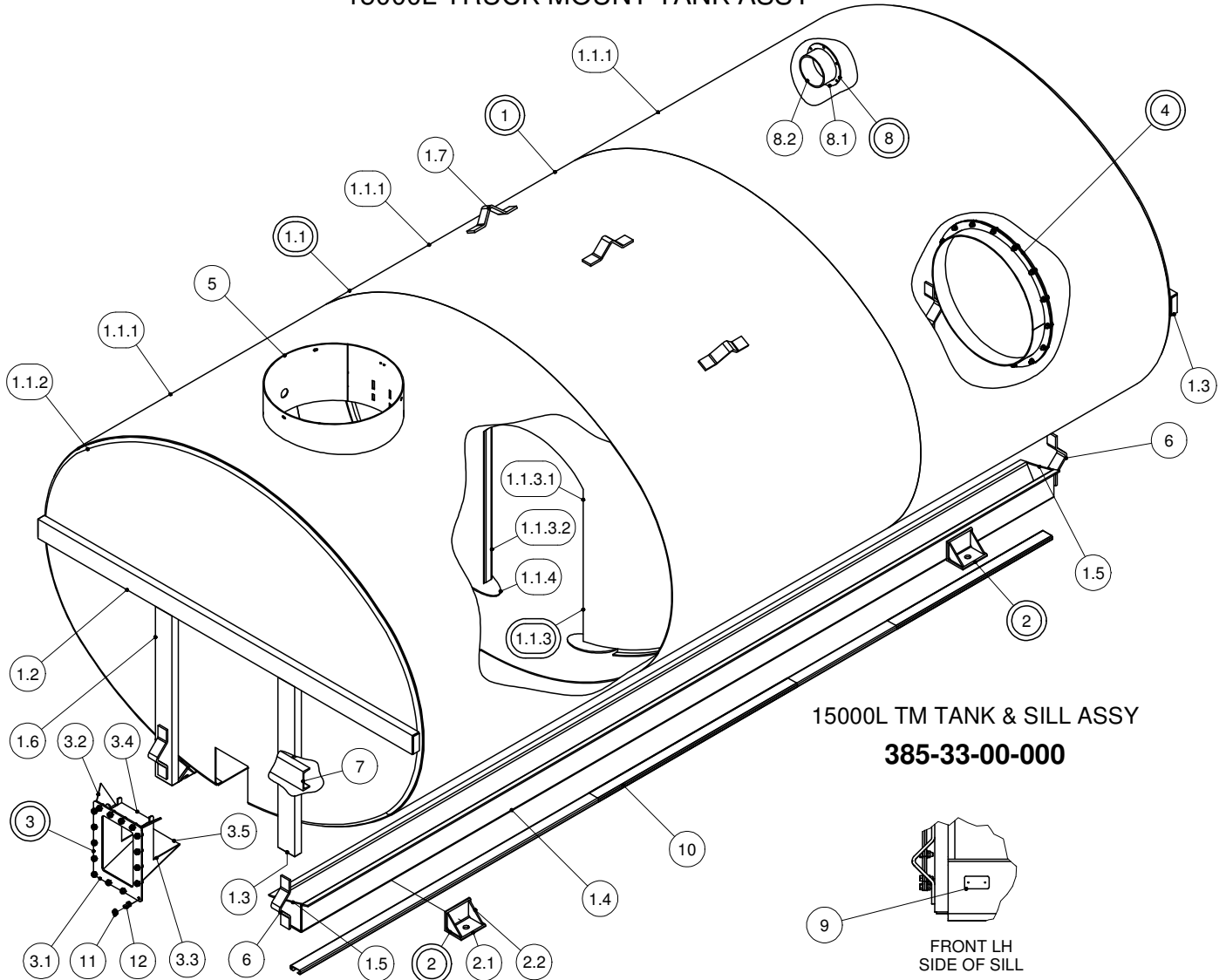
15000L TRUCK MOUNT COMPLETE

15000L T.M. COMPLETE
385-00-00-000



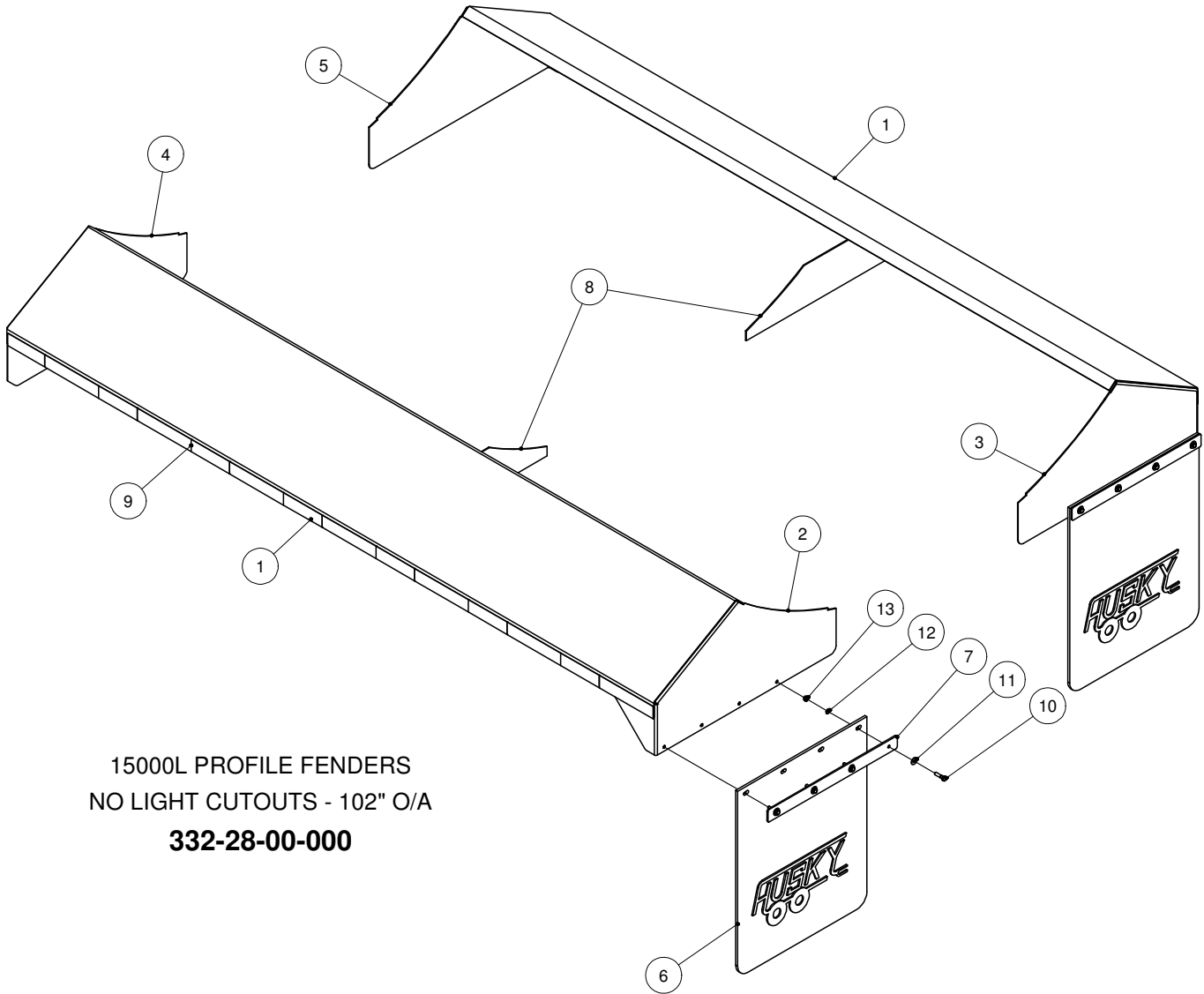
PARTS LIST				PARTS LIST			
ITEM	PART NUMBER	DESCRIPTION	QTY	ITEM	PART NUMBER	DESCRIPTION	QTY
1	385-33-00-000	15000L TME TANK - 68X91 PROFILE	1	13	R09510	"HUSKY" DECAL	2
2	384-52-00-000	HYD FAN & HOUSING COMPLETE-TAPERED SHAFT-26 GPM	1	14	R09511	ACCENT STRIP	2
3	332-33-00-000	TAPER FENDER KIT w/ LIGHTS - 102" O/A	1	15	R09509	"MADE IN CANADA" DECAL - LARGE	1
4	384-05-00-000	6" REAR DISCHARGE KIT	1	16	R09784	"DANGER TOXIC GAS" DECAL	1
5	357-63-00-000	SAFETY BAR ASSY	1	17	R09512	CAPACITY DECAL	1
6	340-62-00-000	INDICATOR KIT	1	18	R09502	"HUSKY" DECAL	1
7	364-95-00-000	LADDER ASSY	1	19	R10483	RUBBER T-STRIP	4
8	316-24-00-000	HOLD DOWN ASSY	4	20	R07669	1-8 UNC x 8 HEX BOLT GR.8	2
8.1	316-24-00-044	BRKT MAIN PC	1	21	R07663	1-8 UNC x 3 HEX BOLT GR.8	2
8.2	316-24-00-045	SPACER BAR	1	22	R07828	1 FLAT WASHER STD - ZINC	2
8.3	316-24-00-046	HOLD DOWN RETURN	1	23	R08246	1-8 UNC NYLOCK NUT - ZINC	4
8.4	316-24-00-047	GUSSET	2	24	R07619	3/8-16 UNC x 1 HEX BOLT GR.5	6
9	330-00-00-559	ACCESS TUBE COVER PLATE	1	25	R07794	3/8-16 UNC FLANGE NUT - ZINC	6
10	372-00-00-045	STICKER PLATE	1	26	R09071	SERIAL NUMBER PLATE	1
11	372-00-00-046	STICKER PLATE BRKT	2	27	R08152	6 x 1/4 PAN HD SOCKET SCREW	2
12	R08034	HP 88 1 x 4 SPRING	2	NOT SHOWN IN DWG - LOCATED AT FRONT LH SIDE OF SILL			

15000L TRUCK MOUNT TANK ASSY



PARTS LIST				PARTS LIST			
ITEM	PART NUMBER	DESCRIPTION	QTY	ITEM	PART NUMBER	DESCRIPTION	QTY
1	385-33-01-000	TANK & SILL ASSY-68 X 91 PROFILE	1	3	364-82-00-000	FLANGED TANK OUTLET	1
1.1	359-25-02-000	15000L TANK W/ BAFFLE ASSY	1	3.1	364-81-02-393	HOUSING FLANGE	1
1.1.1	359-25-02-605	15000L TANK SHELL-68 X 91 PROFILE	3	3.2	364-82-00-395	LH OUTLET SIDE PC	1
1.1.2	359-25-02-604	15000L TANK END-68 X 91" PROFILE	2	3.3	364-82-00-396	RH OUTLET SIDE PC	1
1.1.3	359-25-03-000	BAFFLE ASSY-68 X 91 PROFILE	1	3.4	364-01-03-104	OUTLET TOP PC	1
1.1.3.1	359-25-03-606	15000L BAFFLE-68 X 91" PROFILE	1	3.5	364-01-03-105	OUTLET BOTTOM PC	1
1.1.3.2	359-25-03-607	15000L BAFFLE SUPPORT TUBE	2	4	384-40-00-000	ACCESS HOLE & COVER PLATE KIT	1
1.1.4	340-01-01-559	OVAL REINFORCING PLATE	2	5	364-02-00-006	24" MANHOLE	1
1.2	359-25-01-608	TANK END STIFFENER	2	6	300-01-00-012	TANK LIFT HOOK	4
1.3	330-66-00-258	STIFFENER END CAP	8	7	384-01-00-246	INSIDE CROSS SUPPORT CHANNEL	1
1.4	333-26-00-049	15000L TRUCK MOUNT SILL	2	8	330-20-03-000	ACCESS TUBE ASSY	1
1.5	332-11-00-026	SILL CAP	4	8.1	330-20-03-560	ACCESS TUBE FLANGE	1
1.6	385-33-01-567	VERTICAL REINFORCING CHANNEL	4	8.2	330-20-03-556	ACCESS TUBE	1
1.7	300-01-00-012	TANK LIFT HOOK	3	9	340-01-00-498	SERIAL NO. BACK PLATE	1
2	316-22-00-000	HOLD DOWN BRKT ASSY	4	10	R10482	RUBBER MOUNTING SILL CHANNEL	6
2.1	316-22-00-012	HOLD DOWN ANGLE BRKTS	1	11	R07795	1/2-13 UNC FLANGE NUT - ZINC	16
2.2	316-22-00-035	HOLD DOWN ANGLE GUSSET	2	12	R07637	1/2-13 UNC x 1 HEX BOLT GR.5	16

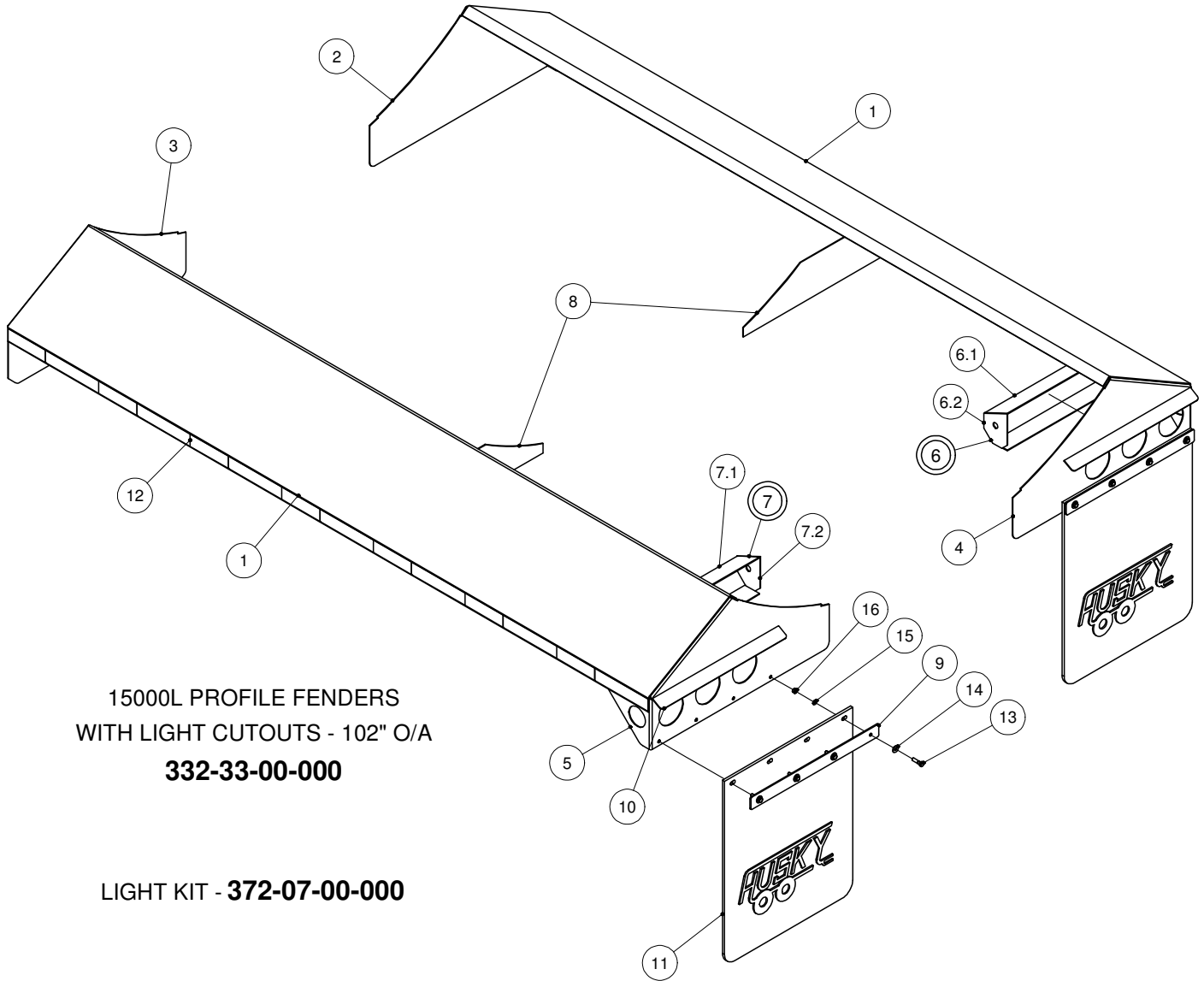
**15000L PROFILE FENDERS
NO LIGHTS - 102" O/A**



15000L PROFILE FENDERS
NO LIGHT CUTOUTS - 102" O/A
332-28-00-000

PARTS LIST			
ITEM	PART NUMBER	DESCRIPTION	QTY
1	332-28-00-060	FENDER 14000L PROFILE - 102" O/A	2
2	332-28-00-057	RH REAR END CAP w/o LIGHTS-102" O/A	1
3	332-28-00-058	LH REAR END CAP w/o LIGHTS-102" O/A	1
4	332-33-00-085	RH FRONT END CAP - 102" O/A	1
5	332-33-00-084	RH FRONT END CAP - 102" O/A	1
6	R09528	HUSKY MUDFLAP	2
7	332-27-00-083	MUDFLAP CLAMP STRAP	2
8	332-28-00-059	14000L FENDER GUSSET - 102" O/A	2
9	R10361	REFLECTOR TAPE - RED/SILVER	2
10	R07620	3/8-16 UNC x 1.5 HEX BOLT GR.5	8
11	R07823	3/8 FLAT WASHER STD - ZINC	8
12	R07803	3/8 LOCK WASHER - ZINC	8
13	R07783	3/8-16 UNC HEX NUT - ZINC	8

**15000L PROFILE FENDERS
WITH LIGHTS - 102" O/A**

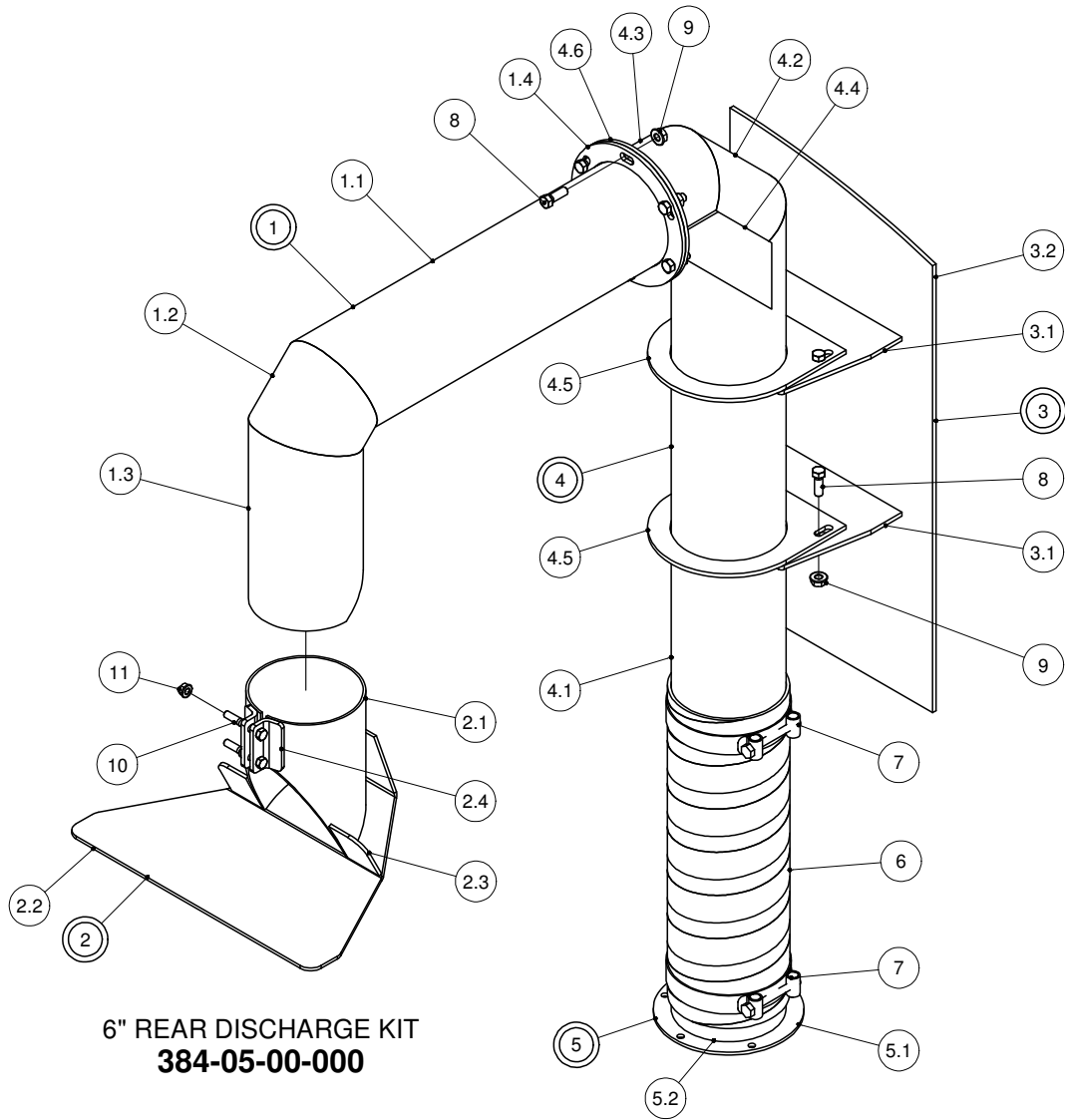


15000L PROFILE FENDERS
WITH LIGHT CUTOUTS - 102" O/A
332-33-00-000

LIGHT KIT - **372-07-00-000**

PARTS LIST				PARTS LIST			
ITEM	PART NUMBER	DESCRIPTION	QTY	ITEM	PART NUMBER	DESCRIPTION	QTY
1	332-28-00-060	FENDER 14000L PROFILE - 102" O/A	2	7.2	332-33-01-080	INNER LIGHT COVER END CAP	1
2	332-33-00-084	RH FRONT END CAP - 102" O/A	1	8	332-28-00-059	14000L FENDER GUSSET - 102" O/A	2
3	332-33-00-085	RH FRONT END CAP - 102" O/A	1	9	332-27-00-083	MUDFLAP CLAMP STRAP	2
4	332-33-00-078	RH REAR END CAP w/ LIGHTS-102" O/A	1	10	332-33-00-090	TAIL LIGHT COVER	2
5	332-33-00-081	LH REAR END CAP w/ LIGHTS-102" O/A	1	11	R09528	HUSKY MUDFLAP	2
6	332-33-01-000	RH INNER LIGHT COVER ASSY	1	12	R10361	REFLECTOR TAPE - RED/SILVER	2
6.1	332-33-01-079	INNER LIGHT COVER	1	13	R07620	3/8-16 UNC x 1.5 HEX BOLT GR.5	8
6.2	332-33-01-080	INNER LIGHT COVER END CAP	1	14	R07823	3/8 FLAT WASHER STD - ZINC	8
7	332-33-02-000	LH INNER LIGHT COVER ASSY	1	15	R07803	3/8 LOCK WASHER - ZINC	8
7.1	332-33-01-079	INNER LIGHT COVER	1	16	R07783	3/8-16 UNC HEX NUT - ZINC	8

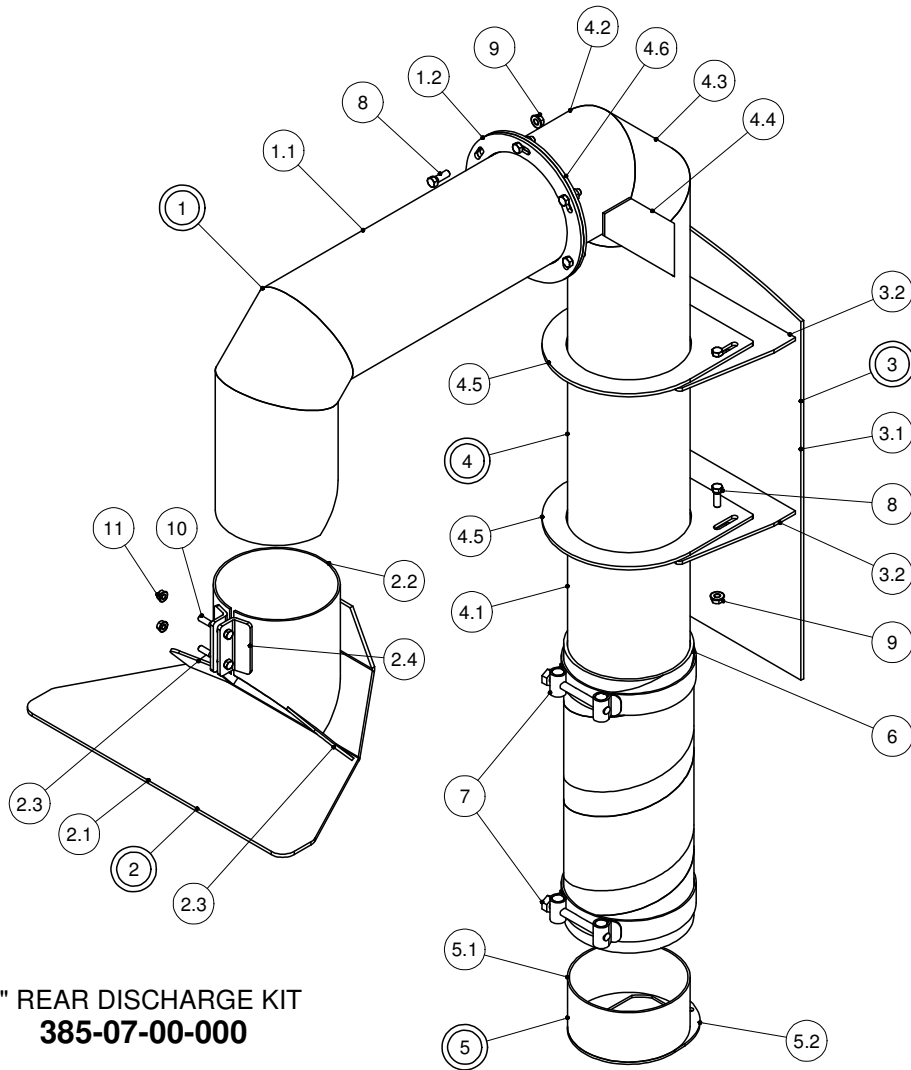
6in REAR DISCHARGE KIT



**6" REAR DISCHARGE KIT
384-05-00-000**

PARTS LIST				PARTS LIST			
ITEM	PART NUMBER	DESCRIPTION	QTY	ITEM	PART NUMBER	DESCRIPTION	QTY
1	364-25-00-000	DISCHARGE PIPE END SECTION ASSY	1	4.2	384-05-02-028	PIPE CORNER PC	1
1.1	364-25-00-088	DISCHARGE PIPE FLANGE PC	1	4.3	384-05-02-029	PIPE END PC	1
1.2	364-19-00-082	DISCHARGE PIPE CORNER PC	1	4.4	384-05-02-097	GUSSET	2
1.3	364-25-00-067	DISCHARGE PIPE END PC	1	4.5	384-05-02-069	TUBE ATTACHMENT BRKT	2
1.4	364-19-00-087	DISCHARGE PIPE FLANGE	1	4.6	364-19-00-087	DISCHARGE PIPE FLANGE	1
2	364-68-00-000	6" SPLASH PLATE ASSY	1	5	364-31-00-000	HOSE TUBE ASSY - 6"	1
2.1	364-68-00-215	CLAMPING TUBE	1	5.1	364-01-03-376	DISCHARGE RING	1
2.2	364-21-00-069	SPLASH PLATE	1	5.2	364-01-03-063	DISCHARGE TUBE	1
2.3	364-21-00-224	SPLASH PLATE WING	2	6	364-00-00-066	HOSE SECTION	1
2.4	364-21-00-071	CLAMPING TUBE BRKT	2	7	R02482	6" HOSE CLAMP	2
3	384-05-03-000	DISCHARGE SUPPORT ASSY - 6" PIPE	1	8	R07671	7/16-14 UNC x 1.25 HEX BOLT GR.5	10
3.1	384-05-03-070	TANK BRKT	2	9	R07879	7/16-14 UNC FLANGE NUT - ZINC	10
3.2	385-05-04-144	PIPE HOLDER BACK PLATE	1	10	R07622	3/8-16 UNC x 2.5 HEX BOLT GR.5	2
4	384-06-02-000	VERTICAL DISCHARGE PIPE ASSY	1	11	R07794	3/8-16 UNC FLANGE NUT - ZINC	2
4.1	384-06-02-037	VERTICAL DISCHARGE TUBE	1				

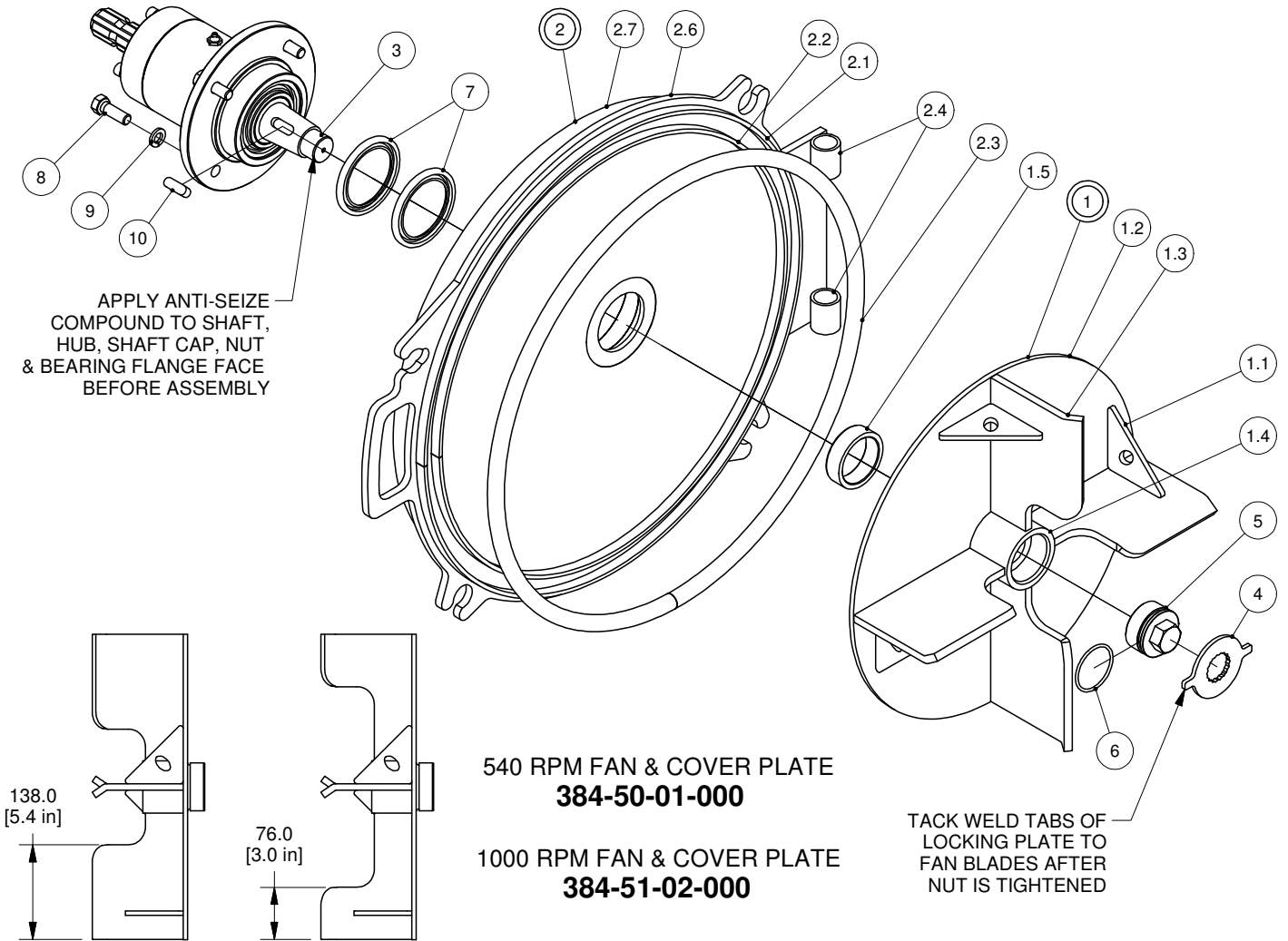
8in REAR DISCHARGE KIT



**8" REAR DISCHARGE KIT
385-07-00-000**

PARTS LIST				PARTS LIST			
ITEM	PART NUMBER	DESCRIPTION	QTY	ITEM	PART NUMBER	DESCRIPTION	QTY
1	358-92-03-000	8" EXTENSION PIPE ASSY	1	4.2	385-05-09-146	ELBOW END PC	1
1.1	358-92-03-307	8" EXTENSION PIPE	1	4.3	385-05-09-147	ELBOW MIDDLE PC	1
1.2	358-92-02-306	8" DISCHARGE FLANGE	1	4.4	384-05-02-097	GUSSET	2
2	358-92-04-000	8" SPLASH PLATE ASSY	1	4.5	357-47-01-227	8" PIPE MOUNT BRKT	2
2.1	358-92-04-308	8" SPLASH PLATE	1	4.6	358-92-02-306	8" DISCHARGE FLANGE	1
2.2	358-92-04-309	8" SPLASH PLATE TUBE	1	5	358-92-01-000	8" HOUSING RING & TUBE ASSY	1
2.3	358-92-04-310	WING FOR 8" SPLASH PLATE	2	5.1	358-92-01-302	8" HOUSING OUTLET TUBE	1
2.4	358-92-04-311	CLAMPING TUBE BRKT	2	5.2	358-92-01-301	8" HOUSING DISCHARGE RING	1
3	385-05-04-000	8" VERTICAL DISCHARGE PIPE HOLDER ASSY	1	6	358-92-00-329	8" DISCHARGE HOSE	1
3.1	385-05-04-144	PIPE HOLDER BACK PLATE	1	7	R02484	8" SUCTION HOSE CLAMP	2
3.2	357-47-00-226	8" TANK MOUNT BRKT	2	8	R07671	7/16-14 UNC x 1.25 HEX BOLT GR.5	10
4	385-05-09-000	8" VERTICAL DISCHARGE PIPE ASSY	1	9	R07879	7/16-14 UNC FLANGE NUT - ZINC	10
4.1	385-05-09-145	8" VERTICAL DISCHARGE TUBE	1	10	R07622	3/8-16 UNC x 2.5 HEX BOLT GR.5	2
				11	R07794	3/8-16 UNC FLANGE NUT - ZINC	2

COVER PLATE-TAPERED SHAFT



APPLY ANTI-SEIZE COMPOUND TO SHAFT, HUB, SHAFT CAP, NUT & BEARING FLANGE FACE BEFORE ASSEMBLY

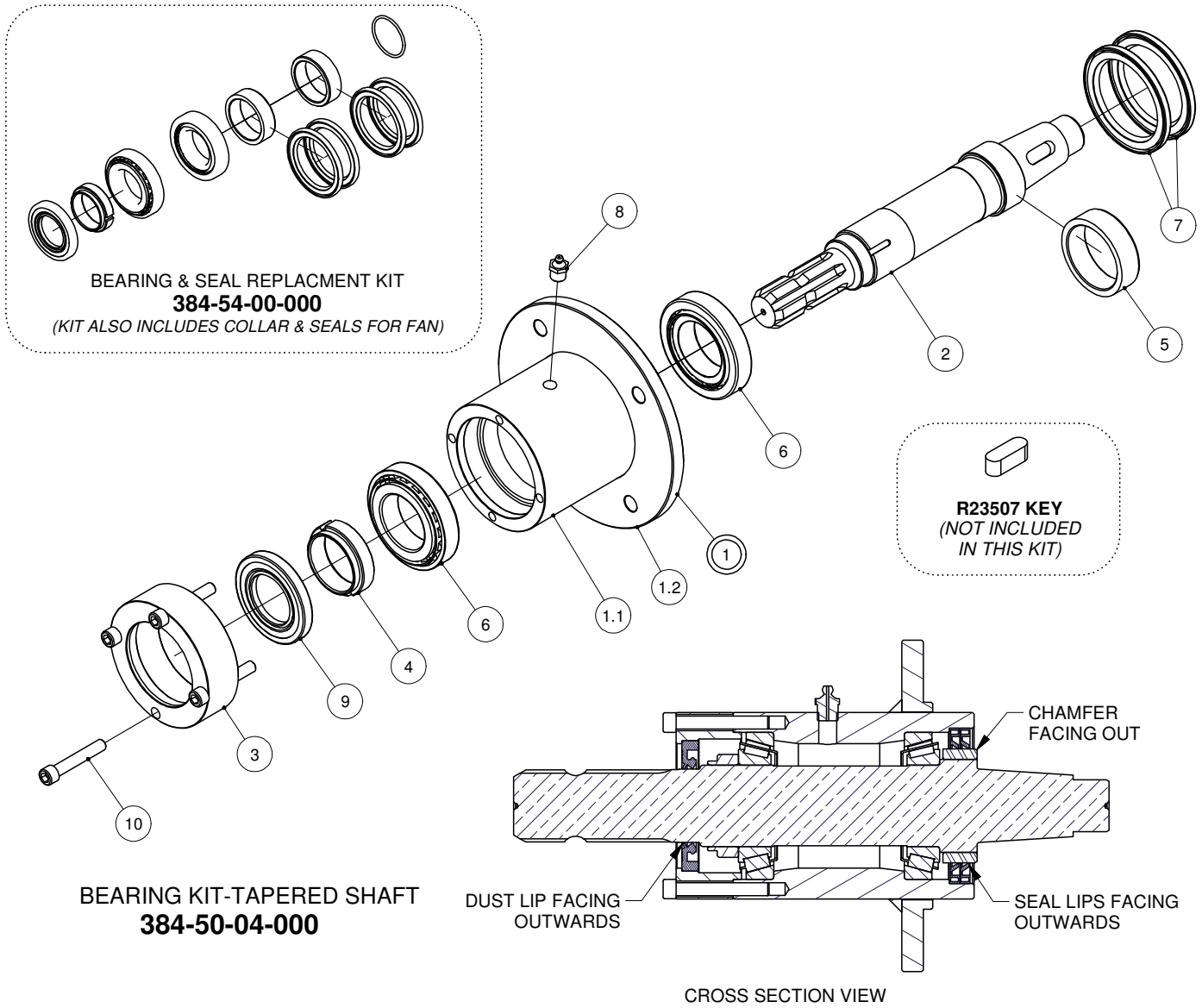
TACK WELD TABS OF LOCKING PLATE TO FAN BLADES AFTER NUT IS TIGHTENED

540 RPM FAN & COVER PLATE
384-50-01-000
1000 RPM FAN & COVER PLATE
384-51-02-000

- NOTES:
- ALWAYS GREASE SEALS AND SHAFT COLLAR BEFORE INSTALLATION
 - ENSURE SEAL LIPS DO NOT "FOLD OVER" DURING ASSEMBLY

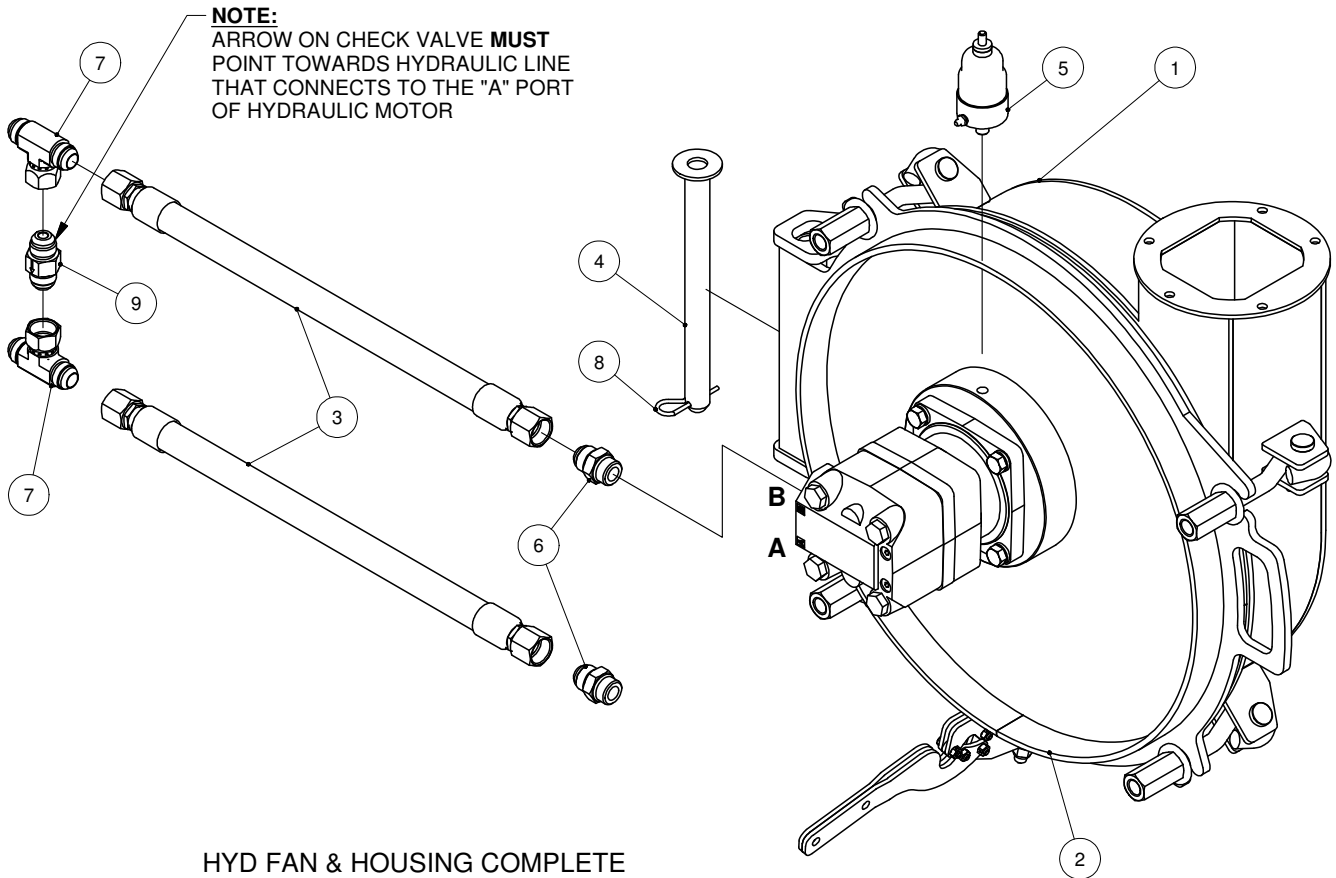
PARTS LIST				PARTS LIST			
ITEM	PART NUMBER	DESCRIPTION	QTY	ITEM	PART NUMBER	DESCRIPTION	QTY
1	384-50-02-000	TAPERED HUB FAN ASSY - 540 RPM CHT	1	2.5	384-50-03-642	MOTOR & BEARING BOX MOUNT	1
	384-51-02-000	TAPERED HUB FAN ASSY - 1000 RPM CHT	1	2.6	384-50-03-641	COVER PLATE-TAPERED SHAFT	1
1.1	364-72-00-422	FAN BLADE GUSSET	4	2.7	384-27-02-534	REIN. RING-1000 RPM COVER PLATE	1
1.2	384-33-03-417	FAN BACK PLATE	1	3	384-50-04-000	BEARING KIT 1-3/4"-20T - TAPERED SHAFT	1
1.3	384-33-03-419	CHT 540 RPM FAN BLADE	4	4	384-50-01-647	TAPERED HUB LOCKING PLATE	1
1.4	384-50-02-639	TAPERED IMPELLER HUB	1	5	384-50-01-648	TAPERED SHAFT CAP NUT	1
1.5	R23443	HARDENED SEAL COLLAR - 2.75" OD	1	6	R23444	O-RING #226 - 2.25" OD x 2" ID	1
2	384-50-03-000	COVER PLATE ASSY - TAPERED SHAFT	1	7	R23441	GREASE SEAL HM21 - 2.750" x 3.751" x .25"	2
2.1	384-20-03-295	OUTER RING	1	8	R07638	1/2-13 UNC x 1.5 HEX BOLT GR.5	4
2.2	384-20-03-296	INNER RING	1	9	R07805	1/2 LOCK WASHER - ZINC	4
2.3	384-20-00-301	RUBBER SEAL	1	10	R23507	MACHINE KEY - 7/16" SQ x 1-1/4"	1
2.4	384-20-03-570	HATCH PIN SLEEVE	2				

BEARING KIT-TAPERED SHAFT



PARTS LIST			
ITEM	PART NUMBER	DESCRIPTION	QTY
1	384-50-05-000	BEARING TUBE ASSY-TAPERED SHAFT	1
1.1	384-50-05-643	TAPERED SHAFT BEARING TUBE	1
1.2	384-50-05-644	BEARING TUBE FLANGE	1
2	384-50-04-637	TAPERED FAN SHAFT - 1-3/8"-6T	1
3	384-50-04-645	TAPERED SHAFT BEARING TUBE CAP	1
4	384-50-04-646	STAKE NUT - M50-1.5	1
5	R23443	HARDENED SEAL COLLAR - 2.75" OD	1
6	R23429	TAPERED ROLLER BEARING - 50 x 90 x 21.75	2
7	R23441	GREASE SEAL HM21 - 2.750" x 3.751" x .25"	2
8	R08188	1/4" NPT STRAIGHT GREASE FTG	1
9	R23442	SEAL D.L. - 45 x 80 x 10 HMSA10 RG	1
10	R08368	3/8-16 UNC x 2.25 SHCS - BLK	4

HYD FAN & HOUSING COMPLETE -TAPERED SHAFT 26 GPM



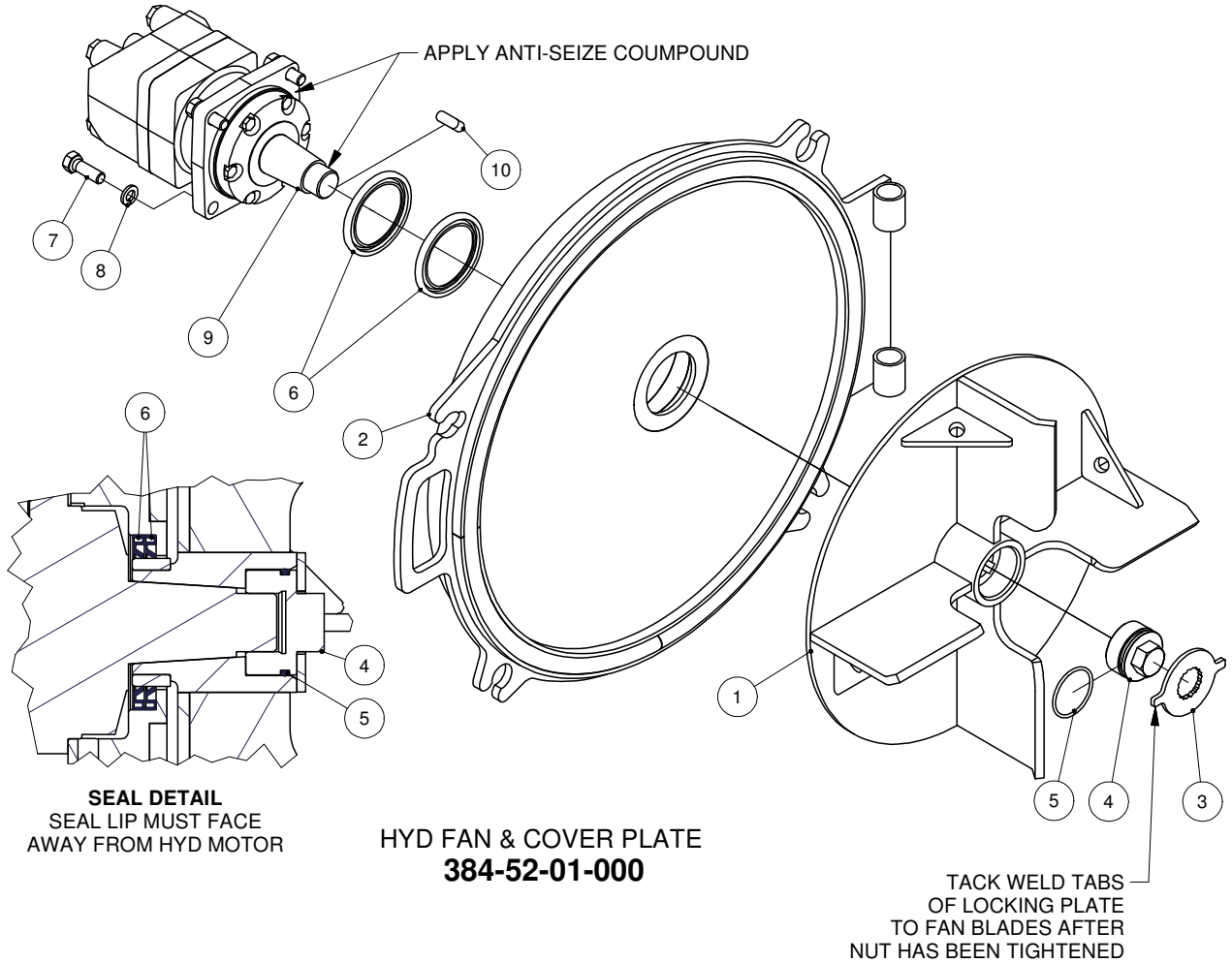
HYD FAN & HOUSING COMPLETE
384-52-00-000

R23512
REPLACEMENT SEAL KIT FOR MLHT160T4A
HYD MOTOR w/ TAPERED SHAFT

PARTS LIST			
ITEM	PART NUMBER	DESCRIPTION	QTY
1	384-20-01-000	HOUSING ASSY-CHT(2007)	1
2	384-52-01-000	HYD FAN & COVER PLATE-TAPERED SHAFT	1
3	384-35-03-000	3/4" HYDRAULIC HOSE ASSY	2
4	376-02-04-000	LID PIN ASSY	1
5	R10595	SPRING PRESSURE AUTO GREASE CUP	1
6	R23098	ORB-12 x 3/4" JIC M. ADAPTOR	2
7	R23122	3/4" M. x 3/4" M. x 3/4" SW F. JIC TEE	2
8	R07948	5/32 HAIR PIN	1
9	R23447	3/4" M. JIC CHECK VALVE	1

HYD FAN & COVER PLATE-TAPERED SHAFT

M&S MLHT160
26.5 MAX GPM
2950 MAX PSI



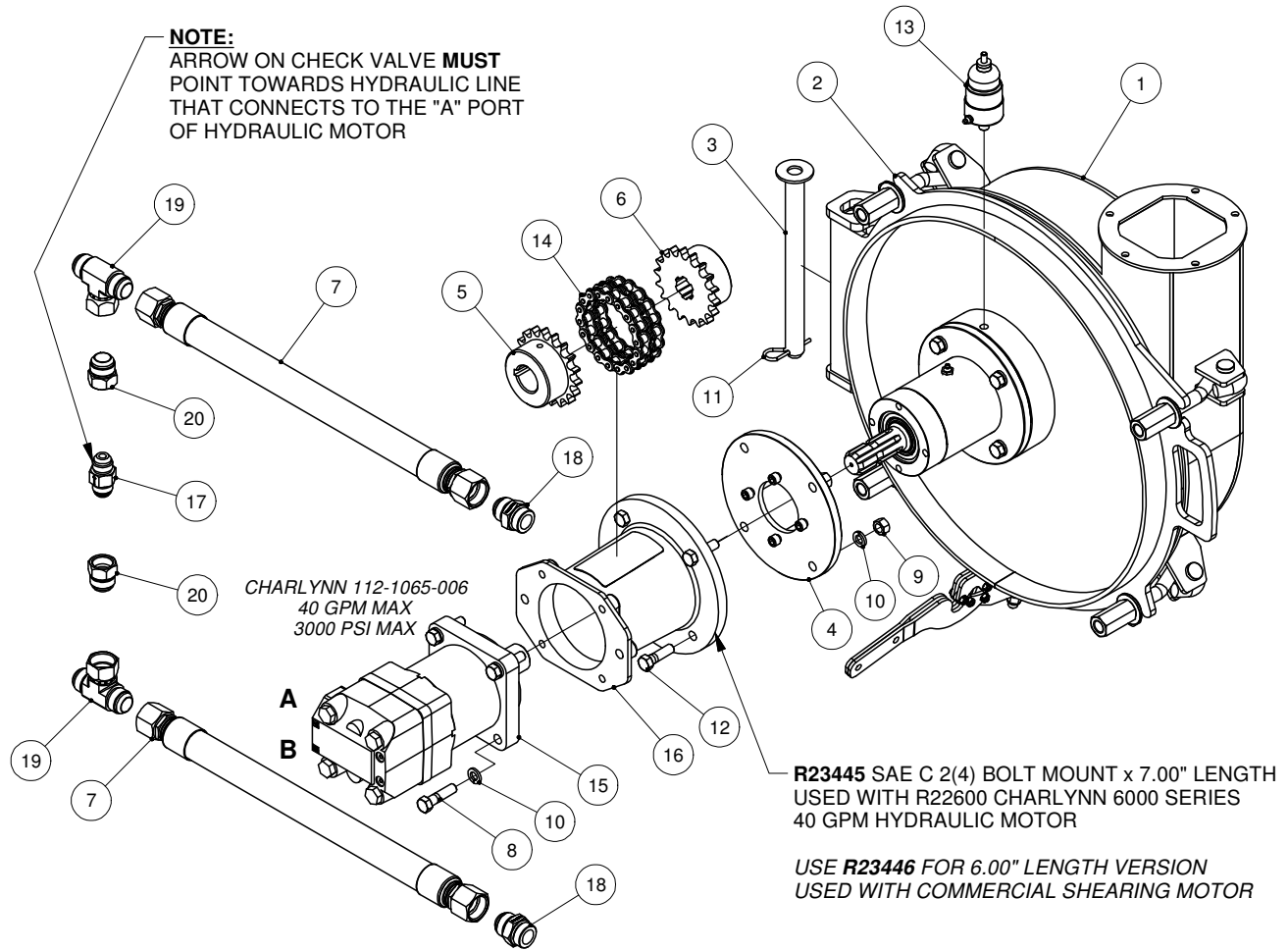
R23512
REPLACEMENT SEAL KIT FOR MLHT160T4A
HYD MOTOR w/ TAPERED SHAFT

NOTES:

- ALWAYS GREASE SEALS AND SHAFT COLLAR BEFORE INSTALLATION
- ENSURE SEAL LIPS DO NOT "FOLD OVER" DURING ASSEMBLY

PARTS LIST			
ITEM	PART NUMBER	DESCRIPTION	QTY
1	384-50-02-000	TAPERED HUB FAN ASSY - 540 RPM CHT	1
2	384-50-03-000	COVER PLATE ASSY - TAPERED SHAFT	1
3	384-50-01-647	TAPERED HUB LOCKING PLATE	1
4	384-50-01-648	TAPERED SHAFT CAP NUT	1
5	R23444	O-RING #226 - 2.25" OD x 2" ID	1
6	R23441	GREASE SEAL HM21 - 2.750" x 3.751" x .25"	2
7	R07638	1/2-13 UNC x 1.5 HEX BOLT GR.5	4
8	R07805	1/2 LOCK WASHER - ZINC	4
9	R23506	M+S HYD MOTOR-MLHT160 TAPERED SHAFT	1
10	R23507	MACHINE KEY - 7/16" SQ x 1-1/4"	1

HYD FAN & HOUSING COMPLETE-TAPERED SHAFT-40 GPM

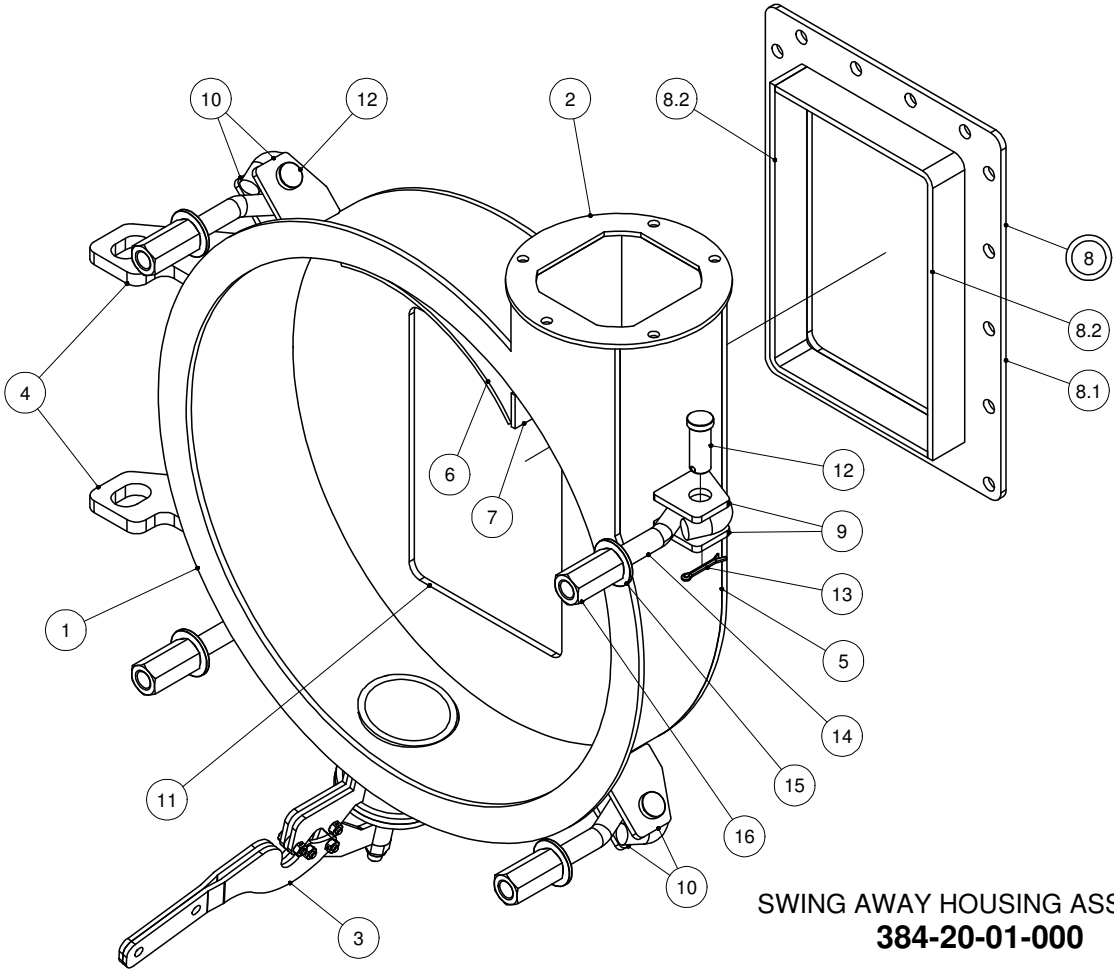


R22611 - CHARLYNN REPLACEMENT REAR BODY SEAL KIT
R22612 - CHARLYNN REPLACEMENT SHAFT SEAL KIT

HYD FAN & HOUSING COMPLETE 384-53-00-000

PARTS LIST				PARTS LIST			
ITEM	PART NUMBER	DESCRIPTION	QTY	ITEM	PART NUMBER	DESCRIPTION	QTY
1	384-20-01-000	HOUSING ASSY-CHT(2007)	1	12	R08454	1/2-13 UNC x 1.75 HEX BOLT GR.5	4
2	384-50-01-000	540 FAN & COVER PLATE-TAPERED SHAFT	1	13	R10595	SPRING PRESSURE AUTO GREASE CUP	1
3	376-02-04-000	LID PIN ASSY	1	14	R20883	60-18 COUPLING CHAIN	1
4	384-53-00-650	HYD MOTOR MOUNT FLANGE	1	15	R22600	112-1065 CHARLYNN MOTOR-6000 40 GPM	1
5	384-00-00-277	60B - 18 SPR.-1 1/2" STR SHAFT	1	16	R23445	HYD MOTOR MOUNT- SAE C 2(4) x 7.00	1
6	384-02-00-072	SPROCKET FOR 6 TOOTH SPLINE	1	17	R23447	3/4" M. JIC CHECK VALVE	1
7	384-53-01-000	1" HYDRAULIC HOSE ASSY	2	18	R23101	ORB-16 x 1" JIC M. ADAPTER	2
8	R07639	1/2-13 UNC x 2 HEX BOLT GR.5	4	19	R23123	1" M. x 1" M. x 1" SW F. JIC TEE	2
9	R07785	1/2-13 UNC HEX NUT - ZINC	4	20	R23084	3/4" JIC F. x 1" JIC M. BUSHING	2
10	R07805	1/2 LOCK WASHER - ZINC	8				
11	R07948	5/32 HAIR PIN	1				

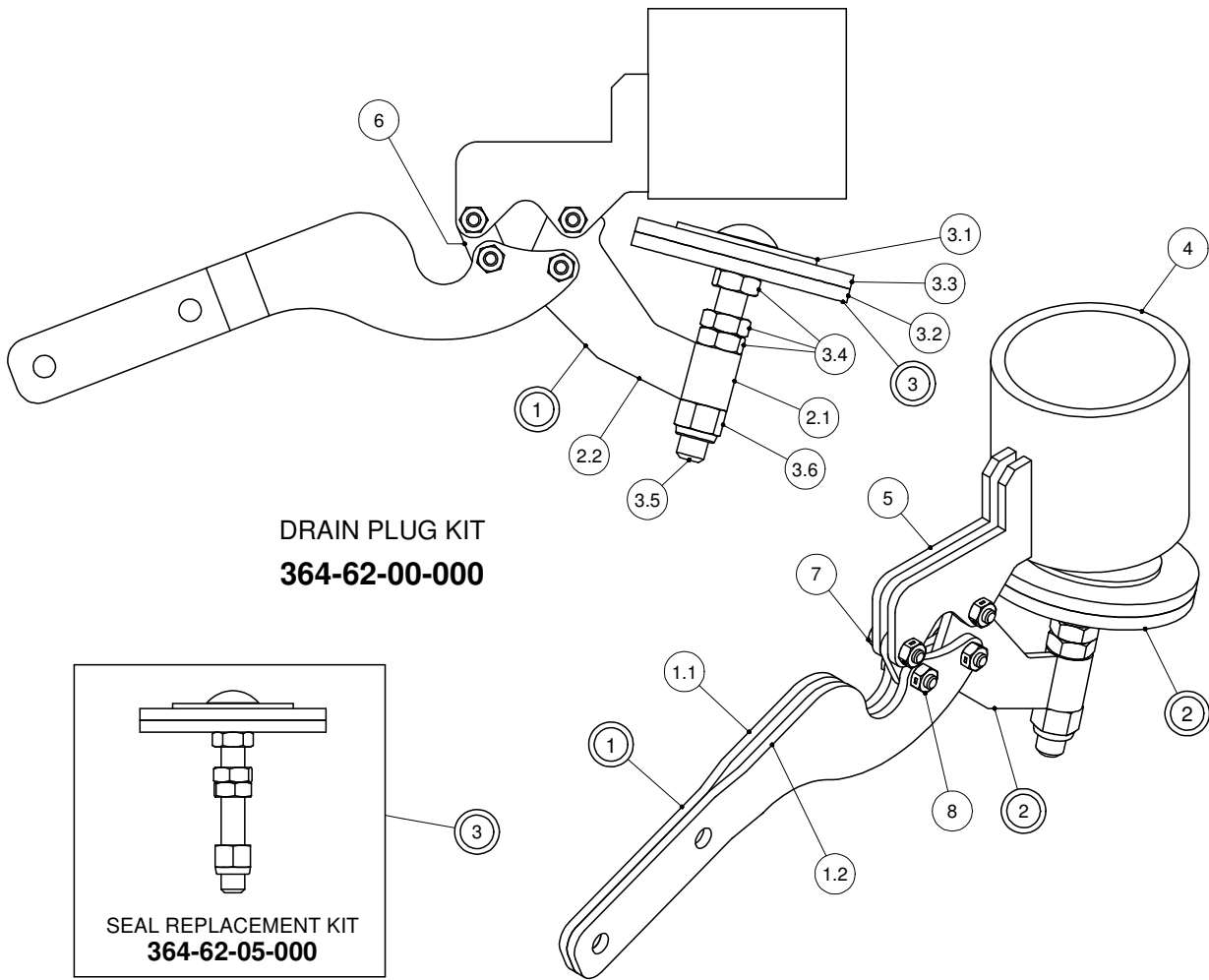
SWING AWAY HOUSING ASSY-CHT



SWING AWAY HOUSING ASSY-CHT
384-20-01-000

PARTS LIST			
ITEM	PART NUMBER	DESCRIPTION	QTY
1	384-20-01-289	HOUSING FLANGE	1
2	364-01-03-376	DISCHARGE RING	1
3	364-62-00-000	DRAIN PLUG KIT	1
4	384-20-01-290	DOOR HINGE	2
5	357-48-01-232	CHT HOUSING BAND	1
6	357-48-01-231	CHT HOUSING BAND AID	1
7	357-48-01-230	CHT FAN HOUSING VERTICAL PC	1
8	357-48-02-000	CHT HOUSING INLET FLANGE ASSY	1
8.1	364-81-02-393	HOUSING FLANGE	1
8.2	357-48-02-233	CHT INLET EXTENSION	2
9	384-20-01-424	SHORT HOUSING LUG	2
10	384-20-01-423	HOUSING LUG	6
11	357-48-01-228	CHT HOUSING BACK PLATE	1
12	R08443	EYE BOLT PIN	4
13	R08207	5/32 x 1 1/2 COTTER PIN - SS	4
14	R08442	3/4" EYE BOLT	4
15	376-02-00-577	MANWAY WASHER	4
16	R07800	3/4-10 UNC COUPLING NUT - ZINC	4

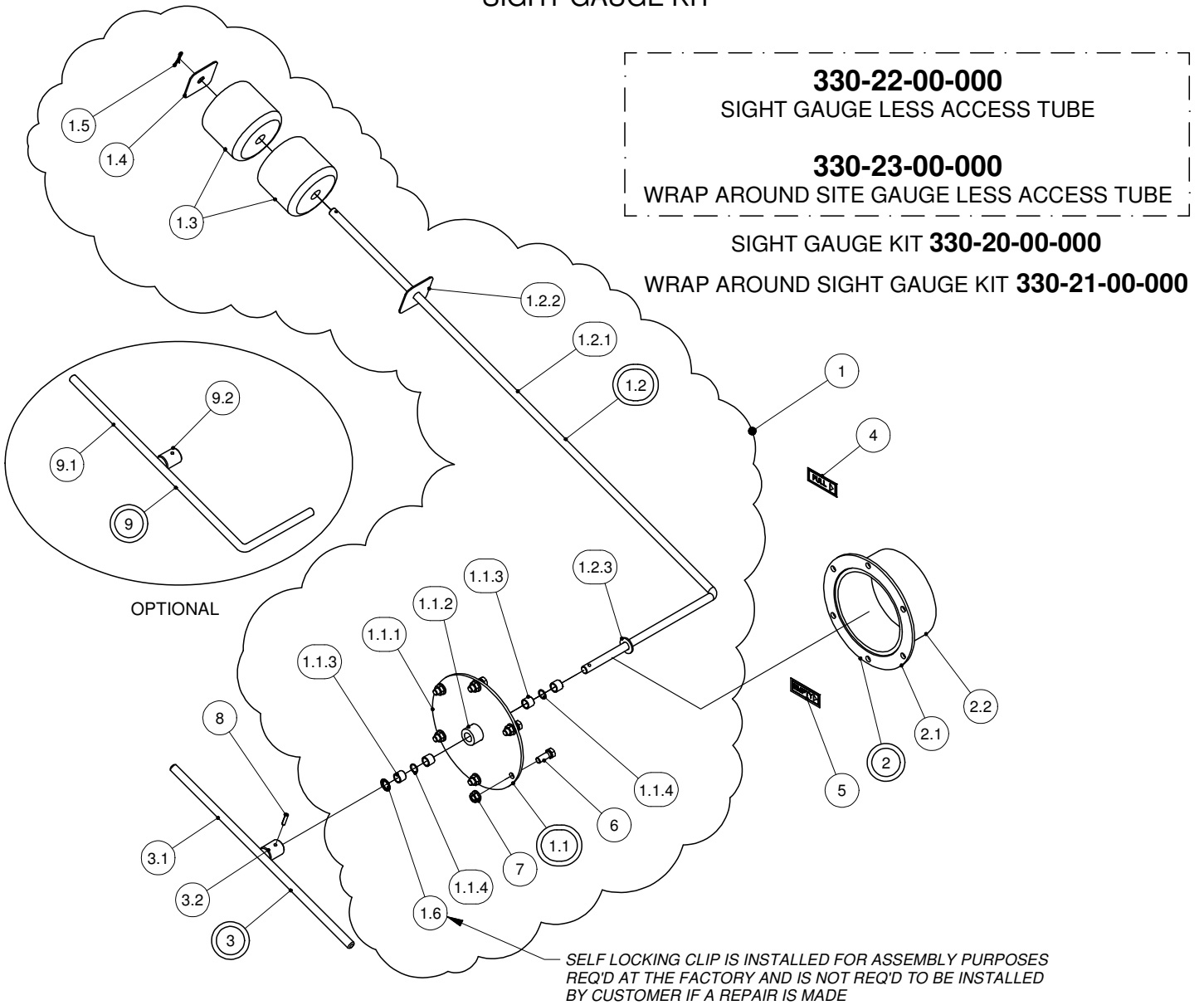
DRAIN PLUG KIT



PARTS LIST

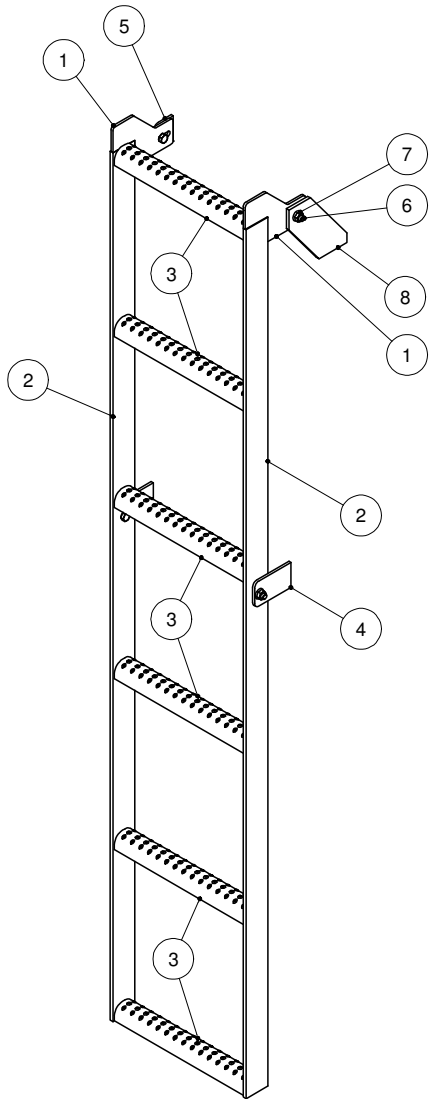
ITEM	PART NUMBER	DESCRIPTION	QTY
1	364-62-03-000	HANDLE ASSY	1
1.1	364-62-03-206	LH HANDLE	1
1.2	364-62-03-207	RH HANDLE	1
2	364-62-01-000	DRAIN PLUG SLEEVE ASSY	1
2.1	364-62-01-201	SLEEVE	1
2.2	364-62-01-200	SLEEVE LINKAGE	1
3	364-62-05-000	DRAIN PLUG REPLACEMENT KIT	1
3.1	364-62-04-370	PLUG WASHER	1
3.2	364-62-02-203	PLUG PLATE	1
3.3	R03071	DRAIN PLUG GASKET	1
3.4	R08046	1/2-13 UNC HEX JAM NUT - ZINC	3
3.5	R07748	1/2-13 UNC x 4 FULL THREAD CARRIAGE BOLT Gr.5	1
3.6	R08219	1/2-13 UNC NYLOCK NUT - ZINC	1
4	364-01-03-110	DRAIN PIPE	1
5	364-62-00-199	PLUG HOUSING BRKT	2
6	364-62-00-205	SHORT LINKAGE	1
7	R07176	1/4-20 UNC x 0.875 SHOULDER HEX BOLT GR.5	4
8	R08048	1/4-20 UNC 2-WAY LOCK NUT - ZINC	4

SIGHT GAUGE KIT

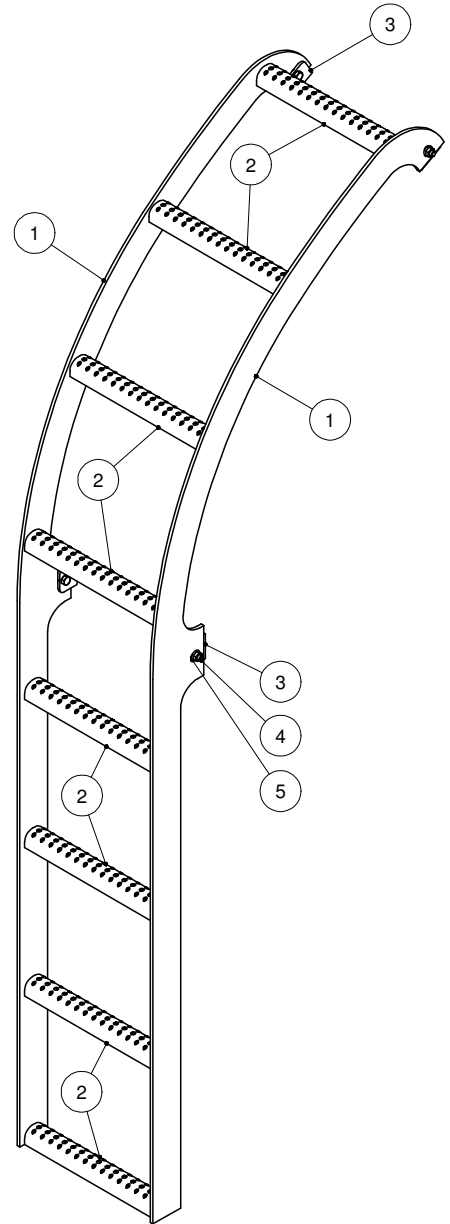


PARTS LIST				PARTS LIST			
ITEM	PART NUMBER	DESCRIPTION	QTY	ITEM	PART NUMBER	DESCRIPTION	QTY
1	330-22-01-000	SIGHT GAUGE w/o INDICATOR	1	2	330-20-03-000	ACCESS TUBE ASSY	1
1.1	330-20-04-000	COVER PLATE ASSY	1	2.1	330-20-03-560	ACCESS TUBE FLANGE	1
1.1.1	330-20-00-557	COVER PLATE	1	2.2	330-20-03-556	ACCESS TUBE	1
1.1.2	330-20-04-562	BUSHING HOLDER	1	3	330-20-02-000	INDICATOR ARM ASSY	1
1.1.3	R21173	1/2 x 5/8 x 1/2" BRONZE BUSHING	4	3.1	330-20-02-554	INDICATOR ARM	1
1.1.4	R20865	O-RING #11-014	2	3.2	330-20-02-553	INDICATOR ARM HUB	1
1.2	330-20-01-000	FLOAT ARM ASSY	1	4	R09529	"FULL" DECAL	1
1.2.1	330-20-01-551	FLOAT ARM	1	5	R09530	"EMPTY" DECAL	1
1.2.2	330-20-01-552	FLOAT STRAPS	1	6	R07619	3/8-16 UNC x 1 HEX BOLT GR.5	6
1.2.3	R08222	1/2 FLAT WASHER SAE - SS	1	7	R07794	3/8-16 UNC FLANGE NUT - ZINC	6
1.3	R09524	FLOAT	2	8	R08241	3/16 x 1 ROLL PIN - SS	1
1.4	330-20-01-552	FLOAT STRAPS	1	9	330-21-01-000	WRAP AROUND SITE ARM ASSY	1
1.5	R08021	1/8 x 1 S.S. COTTER PIN	1	9.1	330-19-46-546	WRAP AROUND SITE ARM	1
1.6	R08514	1/2" EXT. RETAINING RING	1	9.2	330-20-02-553	INDICATOR ARM HUB	1

LADDER KIT



LADDER KIT
364-95-00-000

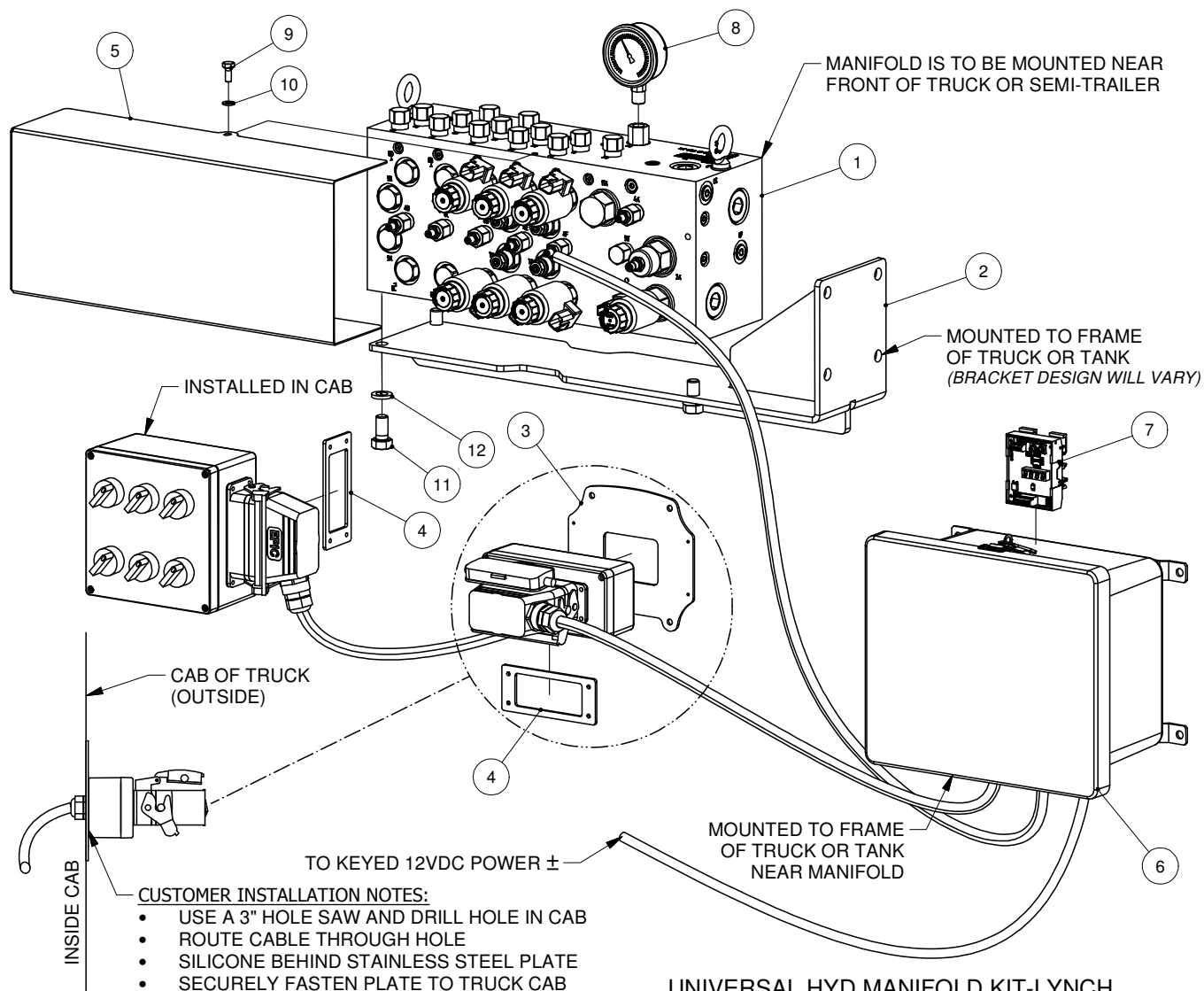


SIDE LADDER KIT
15000L PROFILE
385-39-00-000

PARTS LIST			
ITEM	PART NUMBER	DESCRIPTION	QTY
1	364-95-00-326	LADDER LUG	2
2	364-95-00-325	LADDER SIDE PC	2
3	364-95-00-324	LADDER RUNG	6
4	364-00-00-414	TANK LUG	2
5	364-95-00-327	UPPER TANK LUG	2
6	R07619	3/8-16 UNC x 1 HEX BOLT GR.5	4
7	R07794	3/8-16 UNC FLANGE NUT - ZINC	4
8	384-00-00-216	LADDER BRKT	1

PARTS LIST			
ITEM	PART NUMBER	DESCRIPTION	QTY
1	385-39-00-582	15000 PROFILE SIDE LADDER PC	2
2	364-95-00-324	LADDER RUNG	8
3	364-95-00-327	UPPER TANK LUG	4
4	R07619	3/8-16 UNC x 1 HEX BOLT GR.5	4
5	R07794	3/8-16 UNC FLANGE NUT - ZINC	4

UNIVERSAL HYD MANIFOLD KIT-LYNCH



UNIVERSAL HYD MANIFOLD KIT-LYNCH 385-37-00-000

NOTES:

THIS SETUP IS FOR 4 HYDRAULIC FUNCTIONS, TO ADD ADDITIONAL FUNCTIONS ADD THE FOLLOWING:

5 FUNCTIONS:

- 2pc - R23509 - SUN DIRECTIONAL SPOOL VALVE 3W/2P
- 2pc - R23510 - SUN COIL-14VDC DEUTSCH 2-PIN

6 FUNCTIONS:

- 4pc - R23509 - SUN DIRECTIONAL SPOOL VALVE 3W/2P
- 4pc - R23510 - SUN COIL-14VDC DEUTSCH 2-PIN

IF COUNTERBALANCE VALVE IS NEEDED R23334(x2)
CAN BE USE IN PLACE OF P/O CHECK VALVE (COMMON CAVITY)

5 FUNCTIONS w/ P/O CHECK VALVE ON FUNCTION 6 (AUX):

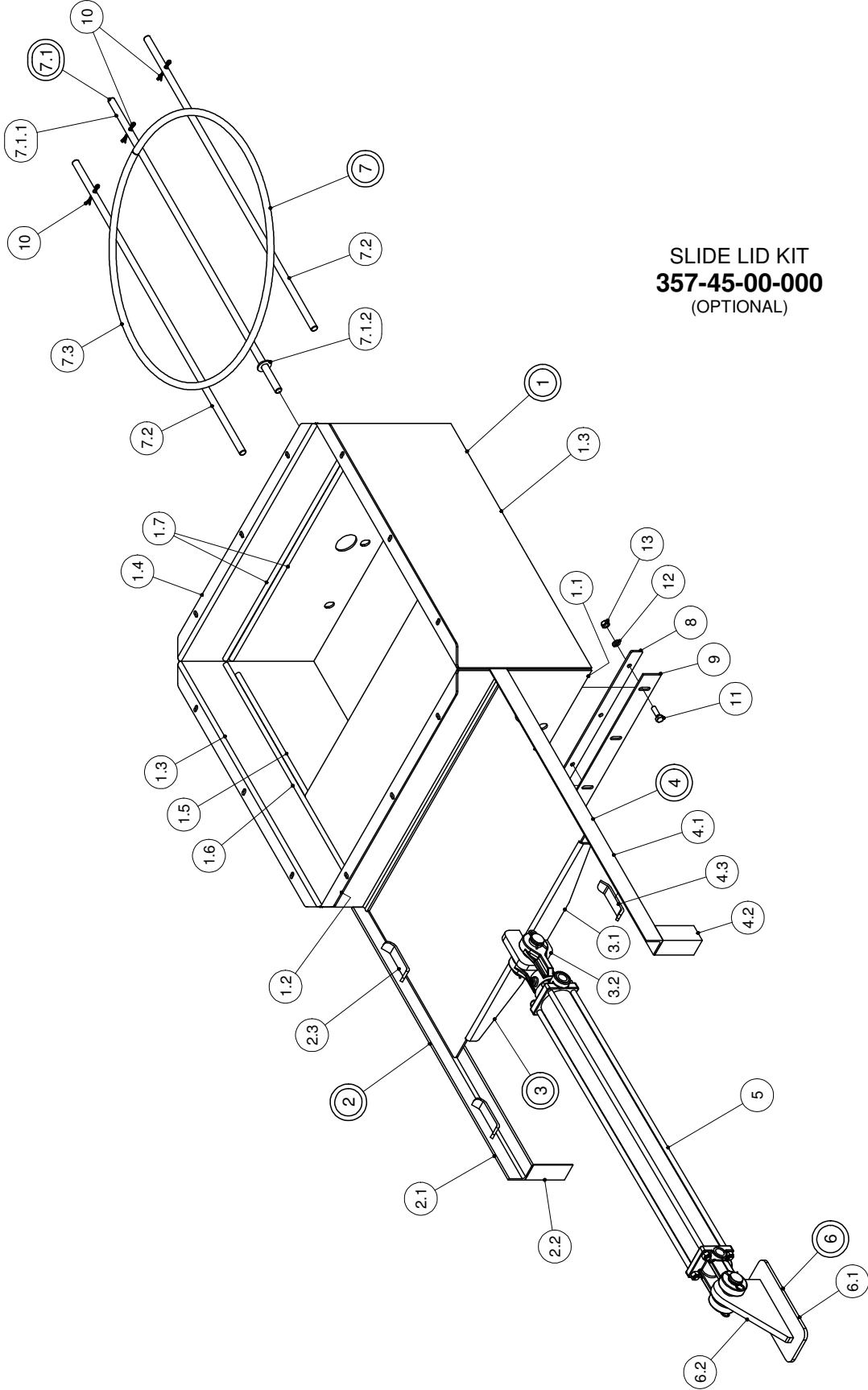
- 2pc - R23509 - SUN DIRECTIONAL SPOOL VALVE 3W/2P
- 2pc - R23510 - SUN COIL-14VDC DEUTSCH 2-PIN
- 2pc - R23511 - SUN P/O CHECK VALVE CARTRIDGE

6 FUNCTIONS w/ P/O CHECK VALVE ON FUNCTION 6 (AUX):

- 4pc - R23509 - SUN DIRECTIONAL SPOOL VALVE 3W/2P
- 4pc - R23510 - SUN COIL-14VDC DEUTSCH 2-PIN
- 4pc - R23511 - SUN P/O CHECK VALVE CARTRIDGE

PARTS LIST				PARTS LIST			
ITEM	PART NUMBER	DESCRIPTION	QTY	ITEM	PART NUMBER	DESCRIPTION	QTY
1	R23504	UNIVERSAL TRUCK MANIFOLD-LYNCH	1	7	R23508	DIN RAIL MOUNT DRIVER-LYNCH	1
2	385-37-01-000	MANIFOLD MOUNT ASSY-LYNCH	1	8	R21251	2-1/2" SS PRESSURE GAUGE 3000 PSI	1
3	385-37-00-632	JUNCTION BOX TO CAB PLATE	1	9	R08233	1/4-20 UNC x 0.625 HEX BOLT SS	2
4	385-37-00-633	BULKHEAD REINFORCING PLATE	2	10	R08234	1/4 LOCK WASHER - SS	2
5	385-37-00-634	LYNCH MANIFOLD COVER	1	11	R07637	1/2-13 UNC x 1 HEX BOLT GR.5	4
6	R23353	UNIVERSAL MANIFOLD CNTL BOX-LYNCH	1	12	R07805	1/2 LOCK WASHER - ZINC	4

SLIDE LID KIT



SLIDE LID KIT
357-45-00-000
(OPTIONAL)

SLIDE LID KIT

PARTS LIST			
ITEM	PART NUMBER	DESCRIPTION	QTY
1	357-45-01-000	24" SLIDE LID ASSY	1
1.1	357-45-01-204	SLIDE LID FRONT LOWER PANEL	1
1.2	357-45-01-205	SLIDE LID FRONT UPPER PANEL	1
1.3	357-45-01-202	24" SLIDE LID SIDE	2
1.4	357-45-01-203	SLIDE LID REAR PANEL	1
1.5	357-45-01-257	SIDE LOWER GUIDE BARS	2
1.6	357-45-01-206	SIDE UPPER GUIDE BARS	2
1.7	357-45-01-207	REAR GUIDE BAR	2
2	357-45-02-000	RH SLIDE RAIL ASSY	1
2.1	357-45-02-209	SLIDE RAIL	1
2.2	357-45-02-210	SLIDE RAIL LEG	1
2.3	357-45-02-208	LOWER GUIDE	2
3	357-45-03-000	24" LID ASSY - HYD	1
	357-45-05-000	24" LID ASSY - AIR	1
3.1	357-45-03-213	24" SLIDE LID	1
3.2	357-45-03-214	SLIDE LID LUG	1
	357-45-05-242	SLIDE LID LUG - AIR	*
4	357-45-04-000	LH SLIDE RAIL ASSY	1
4.1	357-45-02-209	SLIDE RAIL	1
4.2	357-45-02-210	SLIDE RAIL LEG	1
4.3	357-45-02-208	LOWER GUIDE	2
5	R23274	20TH24 HYD CYL-ORB	1
		AIR CYLINDER	*
6	357-45-07-000	TANK LUG ASSY FOR HYD CYLINDER	1
	357-45-06-000	TANK LUG ASSY FOR AIR CYLINDER	1
6.1	368-54-02-425	CYLINDER BRKT BASE PLATE	1
6.2	357-45-07-254	TANK LUG FOR HYD CYLINDER	1
	357-45-06-243	TANK LUG FOR AIR CYLINDER	*
7	357-45-09-000	SAFETY GRATE ASSY	1
7.1	357-45-08-000	SAFETY BAR ASSY	1
7.1.1	357-45-08-274	SAFETY BAR	1
7.1.2	R08222	1/2 FLAT WASHER SAE - SS	1
7.2	357-45-08-274	SAFETY BAR	2
7.3	357-45-09-314	SAFETY RING	1
8	357-45-00-211	SLIDE LID RUBBER STRAP	1
9	357-45-00-212	RUBBER	1
10	R08207	5/32 x 1 1/2 COTTER PIN - SS	3
11	R07611	5/16-18 UNC x 1 HEX BOLT GR.5	5
12	R07802	5/16 LOCK WASHER - ZINC	5
13	R07782	5/16-18 UNC HEX NUT - ZINC	5

TRUCK MOUNT LIGHTS & EXTRAS



Ø2 1/2" GROMMET & PLUG
R10355

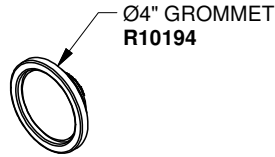


Ø2 1/2" RED **LED** CLEARANCE LIGHT
R10586

Ø2 1/2" YELLOW **LED** CLEARANCE LIGHT
R10585

Ø2 1/2" RED CLEARANCE LIGHT
R10353

Ø2 1/2" AMBER CLEARANCE LIGHT
R10354



Ø4" RED **LED** LIGHT KIT
R10358

Ø4" YELLOW **LED** LIGHT KIT
R10588

Ø4" CLEAR **LED** BACKUP LIGHT KIT
R10587

Ø4" RED LIGHT KIT
R10087

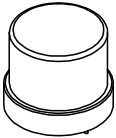
Ø4" BACKUP LIGHT KIT
R10088

Ø4" AMBER w/ CLEAR BACK
R10347



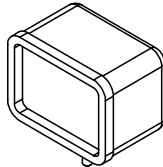
RED CLEARANCE LIGHT
R10089

AMBER CLEARANCE LIGHT
R10090



AMBER **LED** STROBE BEACON LIGHT
R10598

AMBER STROBE BEACON LIGHT
R10337

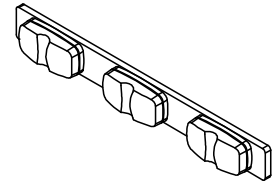


LED WORK LIGHT
R10340

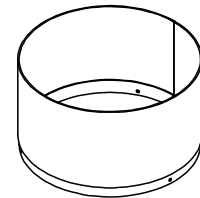
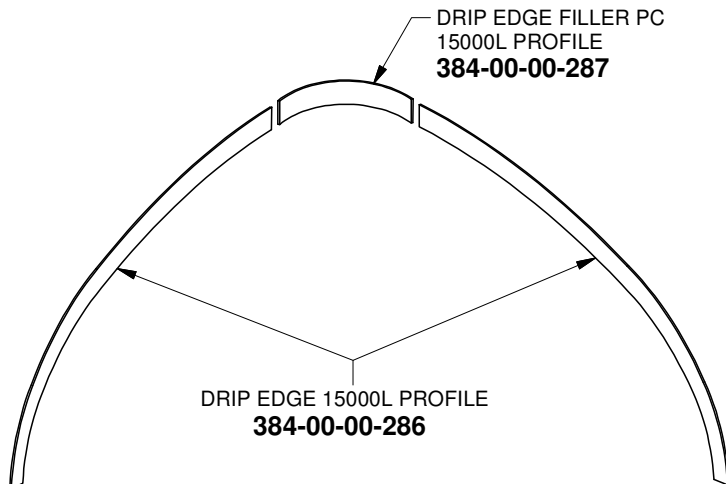
TRACTOR SPOT LIGHT
R10092



LICENSE LAMP
R10093

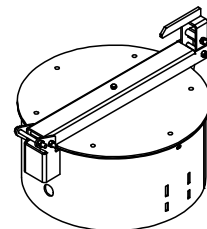


CLEARANCE LIGHT CLUSTER
R10091



12" FILLHOLE EXTENSION
408-20-00-000

6" FILLHOLE EXTENSION
358-16-00-000



24" OVER CENTRE HATCH KIT
384-10-00-000

This Page is Intentionally Left Blank

GUARANTEE

All Husky Farm Equipment manufactured by Husky Farm Equipment Limited is guaranteed. Guarantee covers all the replacement cost or repair of all parts said to be defective from manufacture. Guarantee also covers labour installing said parts, if installed at Husky Manufacturing plant. Time and use is the essence of the guarantee. If equipment is used on a private property for an individual's use, guarantee will be in effect for twelve months from date of invoice. If equipment is used for commercial use to do custom work for money then guarantee will be in effect for three months only from date of invoice.

EXEMPTIONS FROM GUARANTEE

Cost of transportation of equipment to or from Husky Farm Equipment Limited either by customer or by Husky's service staff or cost of mail or public transportation is not covered. Tires and electric or hydraulic motors are covered by manufacturer's warranty and although Husky may assist to get warranty, Husky will not be responsible other than that allowed by manufacturer's warranty. Items subject to normal wear from use not covered by guarantee if faulty part is simply worn.